

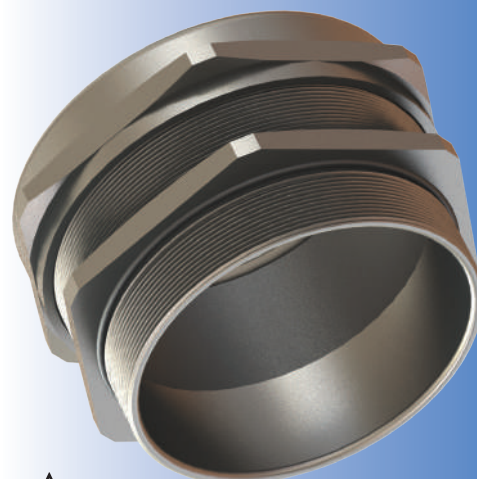
Compression Type Cable Glands with Thread, Brass

Cable glands for cables with large diameters

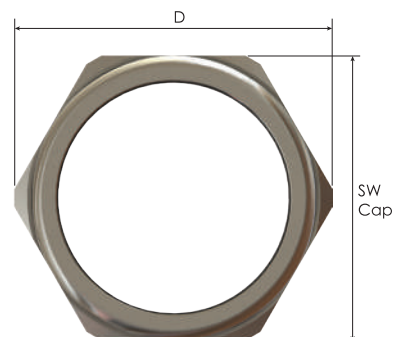
- For metal machines and housings.
- For standard industrial applications in harsh environments.
- For use of cables with large diameters.
- Easy assembly: install cable gland - insert cable - tighten cap.
- High quality strain relief and sealing, reliable performance for standard industrial applications.

Technical Details

Material	Body, Cap	Brass Nickel plated	
	Sealing	CR (Chloroprene)	
	O-Ring	NBR	
Ingress Protection Rating	IP 68 - 5 Bar, 30 min		
Flammability	V2 according to UL94		
Operating Temperature	Permanent	-20 °C to +100 °C	Intermittent
			-40 °C to +150 °C
Thread Type	<ul style="list-style-type: none"> • Metric EN 60423 • Other thread types also available upon request. 		
Cable Type	Non armoured		
Accessories	<ul style="list-style-type: none"> • Lock nuts • Gaskets 		
	<ul style="list-style-type: none"> • We recommend the use of lock nuts and gaskets to ensure IP rating for rough surfaces or through holes. • O-ring available in Metric threads. • Accessories must be ordered separately. 		
Remarks			



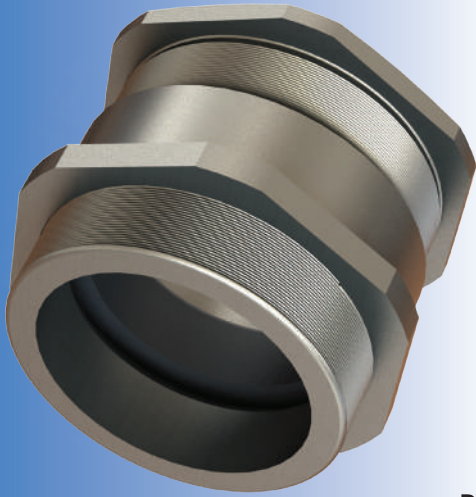
A



Thread Type METRIC acc. to EN 60423 (Type A)

Outer Thread Size (Male)	Clamping Range Ø min-max mm	Outer Thread Length TL mm	Spanner Width		Outer Ø D mm	max. Height H mm	Part Number	Minimum Order Quantity
			Cap SW Cap mm	Body SW Body mm				
M72x2,0	56,0 - 62,0	16,0	77	77	86,0	43,0	BDSM-08	20
M75x1,5	56,0 - 62,0	16,0	77	77	86,0	43,0	BDSM-09S	20
M75x2,0	56,0 - 64,0	16,0	90	90	100,0	50,5	BDSM-09	20
M80x2,0	50,0 - 56,0	18,0	90	90	100,0	51,5	BDSM-10R	10
	60,0 - 67,0	18,0	90	90	100,0	50,5	BDSM-10	10
M85x2,0	63,0 - 70,0	22,0	95	95	106,0	56,0	BDSM-11R	10
	68,0 - 77,0	22,0	95	95	106,0	54,0	BDSM-11	10
M90x2,0	68,0 - 77,0	22,0	95	100	111,0	54,0	BDSM-12	10

Compression Type Cable Glands with Thread, Brass



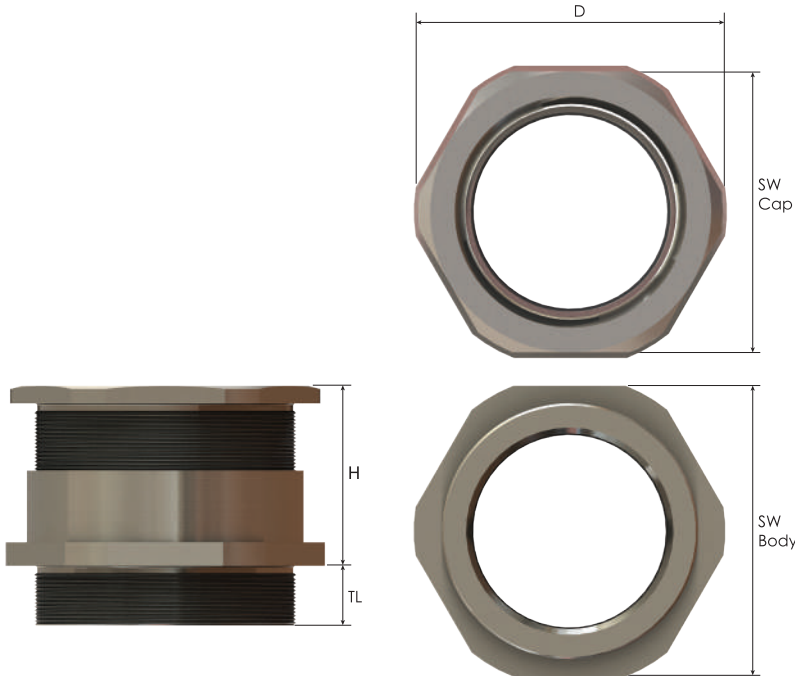
B

Cable glands for cables with large diameters

- For metal machines and housings.
- For standard industrial applications in harsh environments.
- For use of cables with large diameters.
- Easy assembly: install cable gland - insert cable - tighten cap.
- High quality strain relief and sealing, reliable performance for standard industrial applications.

Technical Details

Material	Body, Cap	Brass Nickel plated	
	Sealing	CR (Chloroprene)	
	O-Ring	NBR	
Ingress Protection Rating	IP 68 - 5 Bar, 30 min		
Flammability	V2 according to UL94		
Operating Temperature	Permanent	-20 °C to +100 °C	Intermittent
			-40 °C to +150 °C
Thread Type	<ul style="list-style-type: none"> • Metric EN 60423 • Other thread types also available upon request. 		
Cable Type	Non armoured		
Accessories	<ul style="list-style-type: none"> • Lock nuts • Gaskets 		
	<ul style="list-style-type: none"> • We recommend the use of lock nuts and gaskets to ensure IP rating for rough surfaces or through holes. • O-ring available in Metric threads. • Accessories must be ordered separately. 		
Remarks			



Thread Type METRIC acc. to EN 60423 (Type B)

Outer Thread Size (Male)	Clamping Range Ø min-max mm	Outer Thread Length TL mm	Spanner Width		Outer Ø D mm	max. Height H mm	Part Number	Minimum Order Quantity
			Cap SW Cap mm	Body SW Body mm				
M110x2,0	60,0 - 82,0	25,0	120	125	134,0	76,5	BDSM-13	6